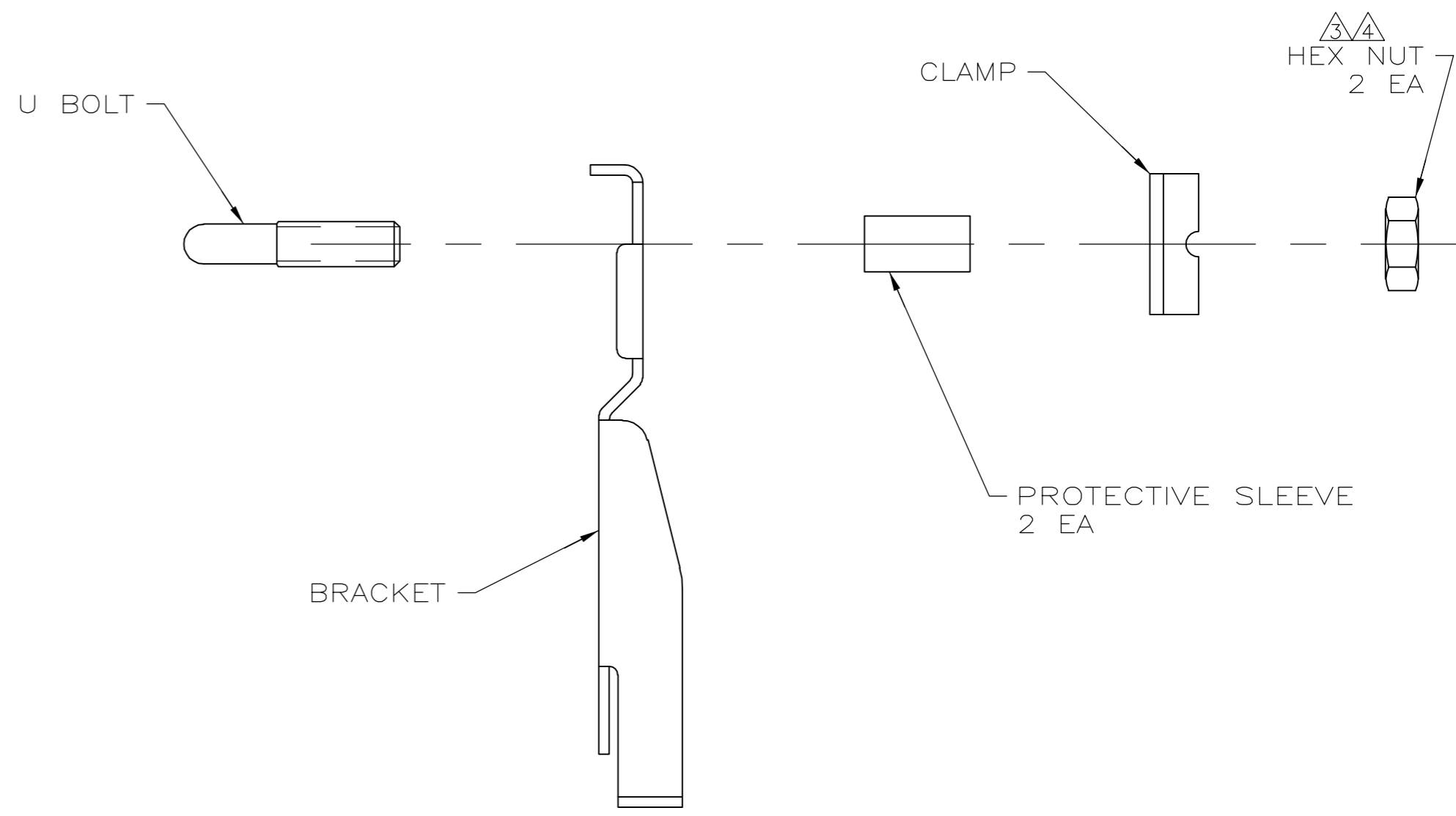
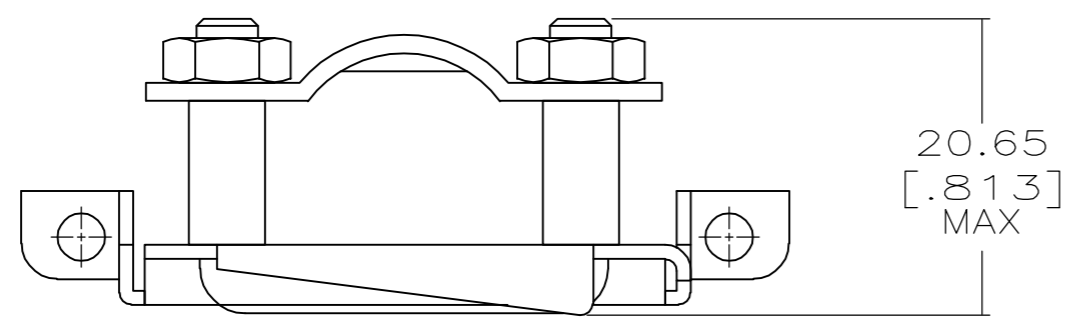
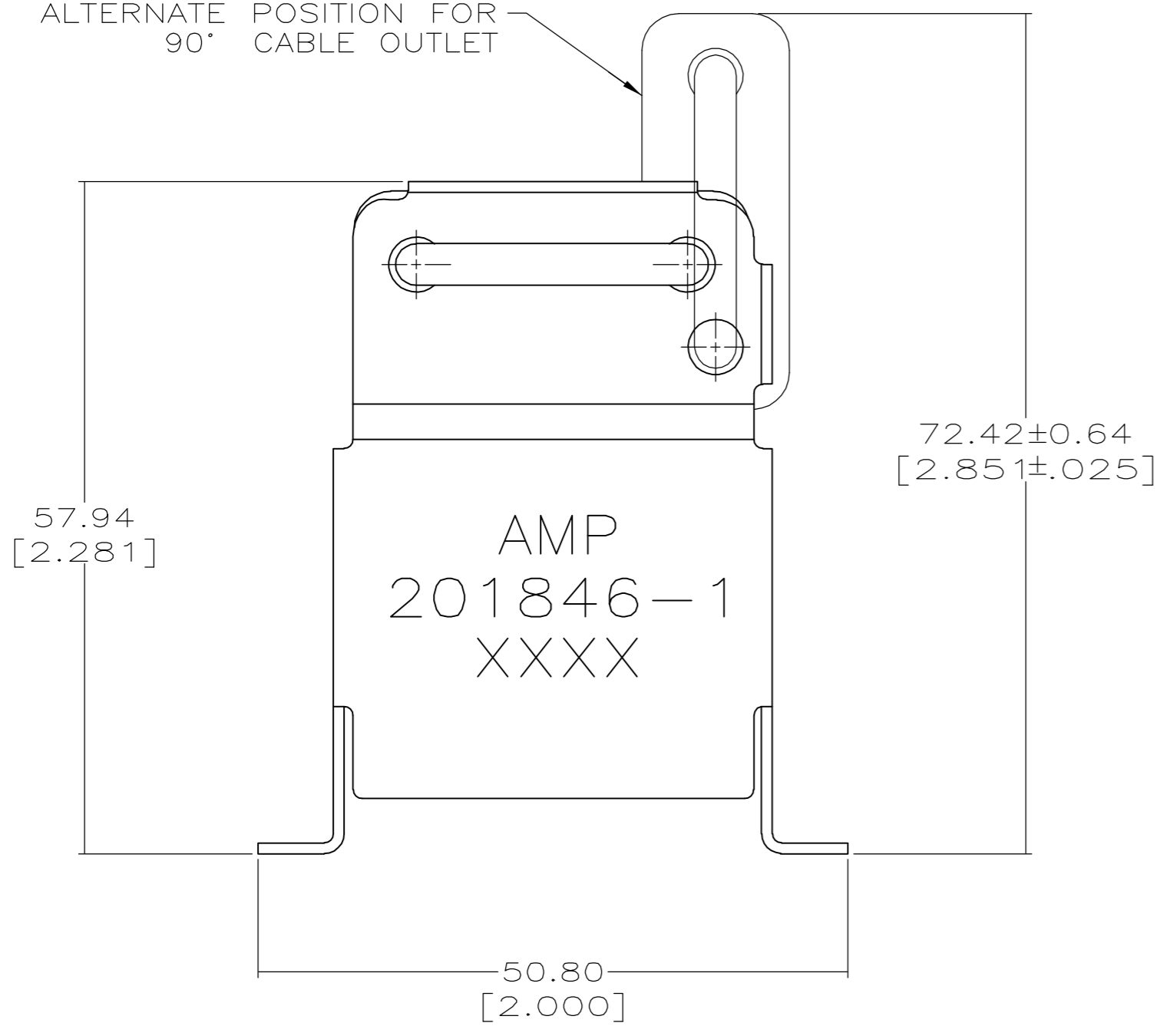


THIS DRAWING IS UNPUBLISHED. RELEASED FOR PUBLICATION  
 © COPYRIGHT BY TYCO ELECTRONICS CORPORATION. ALL RIGHTS RESERVED.

LOC	DIST	REVISIONS			
P	LTR	DESCRIPTION	DATE	DWN	APVD
FT	0	G1	REVISED PER ECO-05-4934	7/21/05	SS GS



ALTERNATE POSITION FOR  
90° CABLE OUTLET



- BRACKET, CLAMP & HEX NUTS: CARBON STEEL.  
U BOLT: STAINLESS STEEL.  
PROTECTIVE SLEEVES: POLYVINYL CHLORIDE.
  - BRACKET & CLAMP: 5.08um[.000200] MIN NICKEL.  
U BOLT: PASSIVATED.
- ③ ZINC PLATED WITH HEXAVALENT CHROMIUM.  
④ ZINC PLATED WITH NON-HEXAVALENT CHROMIUM.

④	201846-5
③	201846-1
NUT FINISH	PART NUMBER

THIS DRAWING IS A CONTROLLED DOCUMENT.		DWN C.REIFSNYDER 03 OCT 95	Tyco Electronics Corporation Harrisburg, Pa 17105-3608	
DIMENSIONS: mm [INCHES]		CHK R.STONE 10 OCT 95	NAME G.A.STEINHAUER	
TOLERANCES UNLESS OTHERWISE SPECIFIED:		APVD G.A.STEINHAUER 05 NOV 95	PRODUCT SPEC	
0 PLC ± - 1 PLC ± - 2 PLC ± 0.38[.015] 3 PLC ± - 4 PLC ± - ANGLES ± - FINISH -		APPLICATION SPEC	CLAMP KIT, UNASSEMBLED, 34 PLACE, STRAIN RELIEF, M SERIES	
MATERIAL		WEIGHT	SIZE A2	CAGE CODE 00779
		CUSTOMER DRAWING	DRAWING NO C=201846	RESTRICTED TO
		SCALE 2:1	SHEET 1 OF 1	REV G1